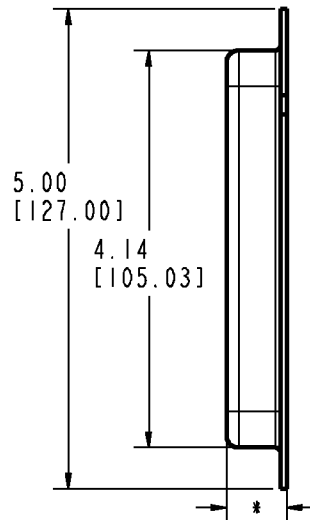
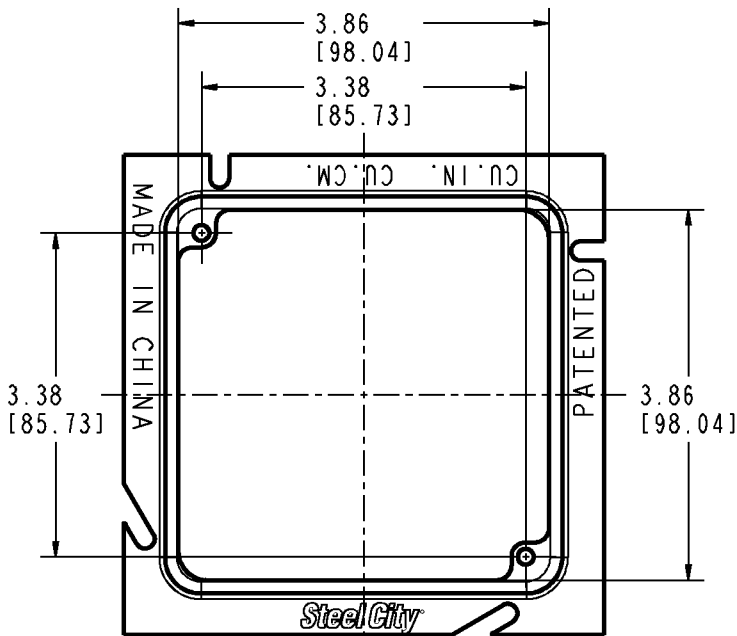
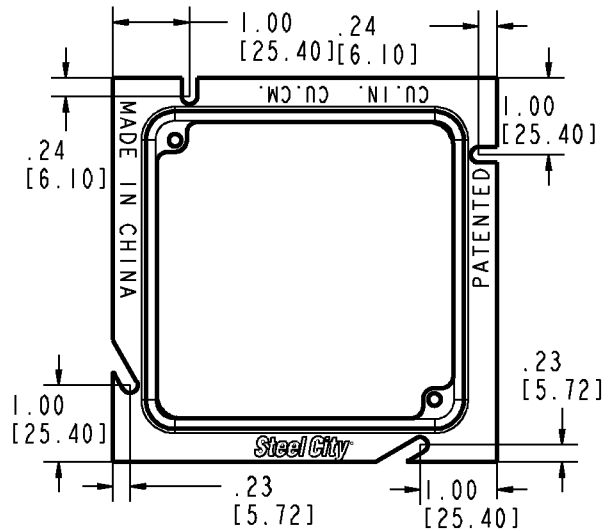
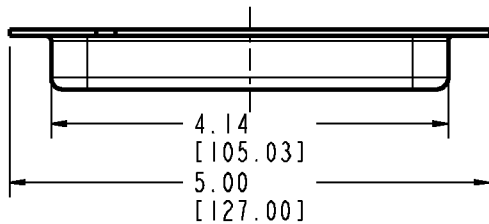
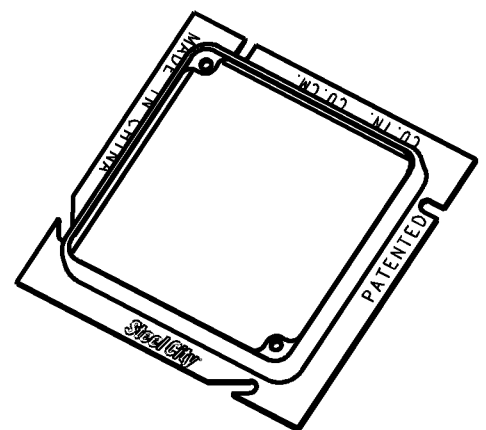




Steel City



- NOTES:
 1. METAL MINIMUM THICKNESS .063".
 2. ZINC PLATED



* FLAT	VOLUME		CATALOG NOS.	
			82-52E-0	& 82-52E-0-RD
1/4	3.5	IN ³ [58 CM ³]	82-52E-1/4	& 82-52E-1/4-RD
1/2	7.2	IN ³ [118 CM ³]	82-52E-1/2	& 82-52E-1/2-RD
5/8	9.1	IN ³ [149 CM ³]	82-52E-5/8	& 82-52E-5/8-RD
3/4	10.8	IN ³ [177 CM ³]	82-52E-3/4	& 82-52E-3/4-RD
1	14.7	IN ³ [241 CM ³]	82-52E-1	& 82-52E-1-RD
1-1/4	18	IN ³ [295 CM ³]	82-52E-1-1/4	& 82-52E-1-1/4-RD
1-1/2	21	IN ³ [344 CM ³]	82-52E-1-1/2	

GENERAL NOTES

- ALL DIMENSIONS ARE FOR REFERENCE ONLY.
- DIMENSIONS IN BRACKETS [] ARE IN METRIC UNITS.

REVISIONS

- | | |
|---|--|
| - | SEE ERN (****) FOR APPROVAL SIGNATURES & RELEASE DATE.
PROJECT NO: **** |
|---|--|

DESCRIPTION:

5" SQUARE X 4" SQUARE EXTENSION RING

Thomas & Betts
 A Member of the ABB Group

ORIGINAL PROJECT NO / (ERN NO)	SHEET NO:	REV. NO:	DRAWING NO:
001P000414/(2014664)	1 OF 1	-	WSD-001189